



VOLTA
Energy Products

rps50
ENERGY STORAGE SYSTEM



www.viridiparente.com



KEY FEATURES

- Installed Storage Capacity: 245Ah / 49.0kWh



- Long Cycle Life

- Nominal Voltage: 200V

- Connect in Series for Higher System Storage Capacity

- Ingress Rating: IP54



- 304 Stainless Steel Case, Floor Mounted

- Integrated Pack Fuse

- Service Disconnect with Lockout

- Integrated Battery Management System (BMS) with CAN 2.0b Communication



- Integrated Passive Thermal Event Anti-Propagation Technology and Option for Secondary Thermal Event Detection System

- Safe installation in occupied Spaces

- No Noise 0 dB

- Weight 500kg / 1102LB



DISCHARGE PARAMETERS

- Maximum pack temperature: 50°C [1]

- Minimum pack temperature: -20°C

- Maximum continuous power: 24kW

CHARGE PARAMETERS

- Maximum pack temperature: 45°C

- Minimum pack temperature: -10°C [2]

- Maximum charge power: 24kW

STANDARDS/RATINGS

- UL1641

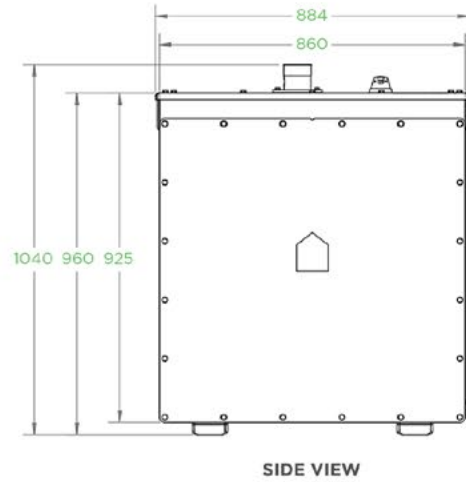
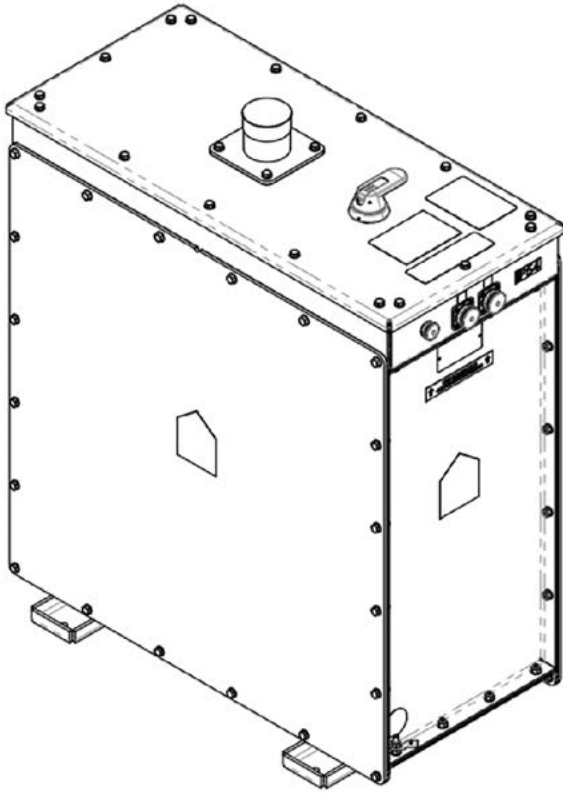
- Evaluation to UL1973, UL9540

- Evaluation in Progress
UL9540A System Tested in Accordance with UL9540A by Third Party Nationally Recognized Testing Laboratory

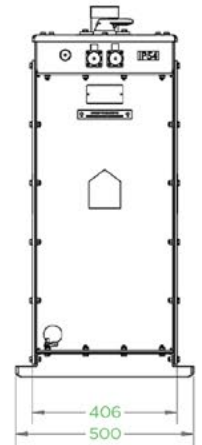
[1] BMS will reduce discharge parameters above 45°C

[2] BMS will reduce charge parameters below 0°C

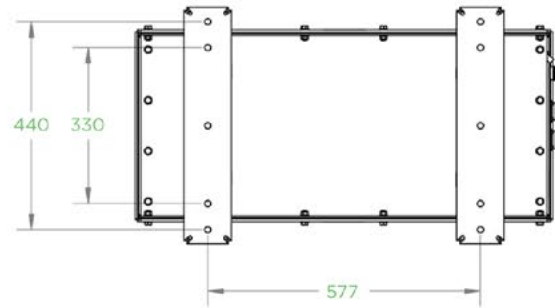




SIDE VIEW



FRONT VIEW



BOTTOM VIEW

[1] For pack temperatures from 0°C to -10°C, max charge rate: 5 kW.
Contact GME for charging at lower temperatures.

CYCLE LIFE

Maximum Charge Voltage(V)	Minimum Discharge Voltage (V)	Usable Capacity (kWh)	Energy Throughput (MWh)	Cycle Life
226.8 V	153.9 V	49.0 kWh	52.9 MWh	1,200
221.4 V	162.0 V	44.1 kWh	107.1 MWh	2,700
216.0 V	162.0 V	39.2 kWh	123.4 MWh	3,500





VOLTA
Energy Products

rps50
ENERGY STORAGE SYSTEM



CONTACT VOLTA ENERGY PRODUCTS



For sales & product info
sales@voltaenergyco.com
716.968.8658 ext 101



For technical or
safety questions
tech@voltaenergyco.com
716.968.8658 ext 101



For business development
or partnerships
biz@voltaenergyco.com
716.968.8658 ext 101



1001 East Delavan Avenue Buffalo NY 14215