



# Container Energy Storage



## RPS1200

1.2 MWh



### KEY BENEFITS

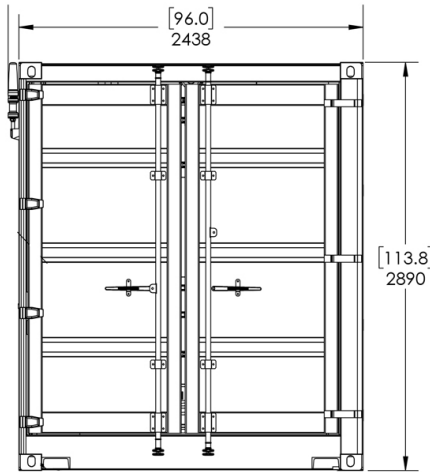
- Optimize energy use by deploying stored energy during high-priced peak demand periods and recharging during off-peak times, reducing overall energy costs.
- The RPS1200 ensures uninterrupted backup power during blackouts or brownouts, seamlessly maintaining customer operations.
- The installed RPS1200 offers a low-maintenance, customizable energy storage solution for regular operations.
- Viridi's RPS1200 seamlessly integrates with various green energy sources like PV, wind, and generators for enhanced sustainability.

### SAFETY

- All Viridi battery packs equipped with passive Fail-Safe thermal management and anti-propagation technology to prevent Li-Ion battery fire.
- Fail-Safe technology allows for unique permitting opportunities including BESS in and around occupied spaces and critical equipment.
- RPS1200 includes integrated HVAC and gaseous fire suppression system

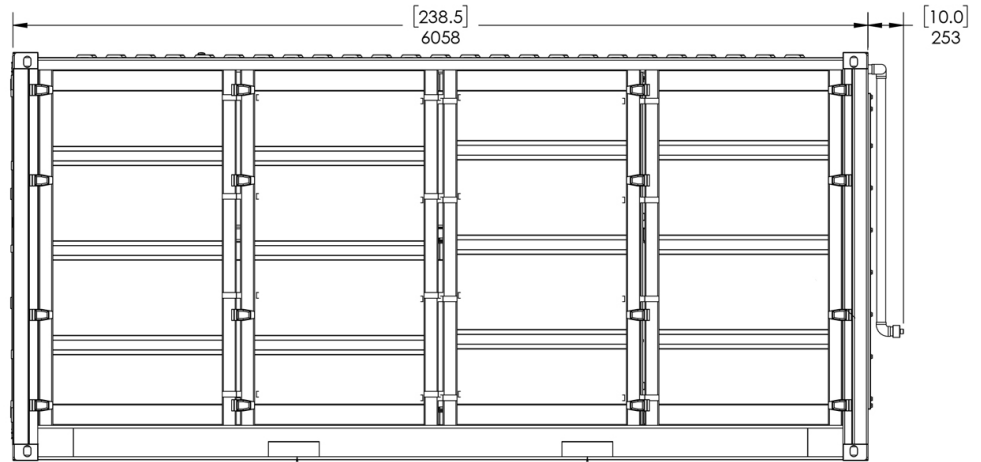
## PHYSICAL PARAMETERS

- Length..... 238,5" (in)
- Width ..... 96" (in)
- Height..... 113,8" (in)
- Weight .... approx 42,000 lbs



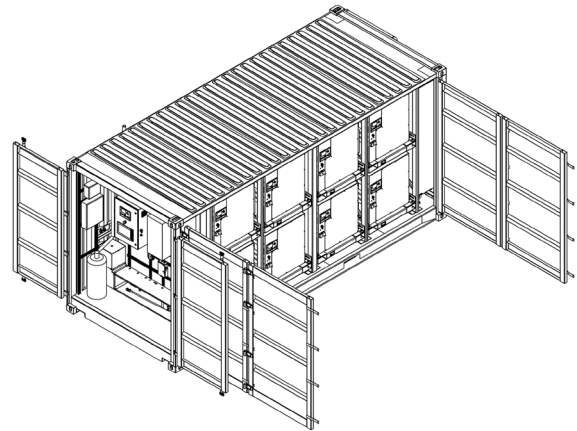
# RPS1200

1.2MWh CONTAINER  
ENERGY STORAGE SYSTEM



## VPP OPERATION

- Parallel multiple RPS1200 together into an intelligent microgrid
- Viridi BEMS AI-controlled Energy Management Platform optimizes facility energy usage to cut costs and maximize decarbonization efforts (optional add-on consisting of external hardware)



## CERTIFICATIONS

- UN 38.3 (cell/module)
- UL 1642 (cell)
- UL 1973 (pack tested, listing pending)
- UL 9540A (cell/module/pack tested)
- UL 1741 & IEEE 1547 (Sinexcel PWS2-30P-NA Inverter)

## PERFORMANCE

### 480V 3-phase Max Continuous Power<sup>1</sup>

- 240kW Charge
- 240kW Discharge

### Battery System

- 1,174.4kWh Nominal
- 1041.8kWh Usable (DC) at 90% DOD
- 4,000 Cycles at Usable Capacity<sup>2</sup>

<sup>1</sup> Operating temperature range mirrors battery cell specifications. The Battery Management System (BMS) is programmed to manage the pack utilization rate to control the internal pack thermal conditions and prevent operation outside of pack interior temperature limits, which can be tailored for different applications/installations. The BMS communicates applicable operating conditions continuously via CAN bus to the inverter and/or system controller.

<sup>2</sup> Cycle life can be optimized for individual applications and operating conditions (depth of discharge, duty cycle, temperature, charge/discharge rate).

## FOR MORE INFORMATION

[sales@viridiparente.com](mailto:sales@viridiparente.com)

716.968.8658